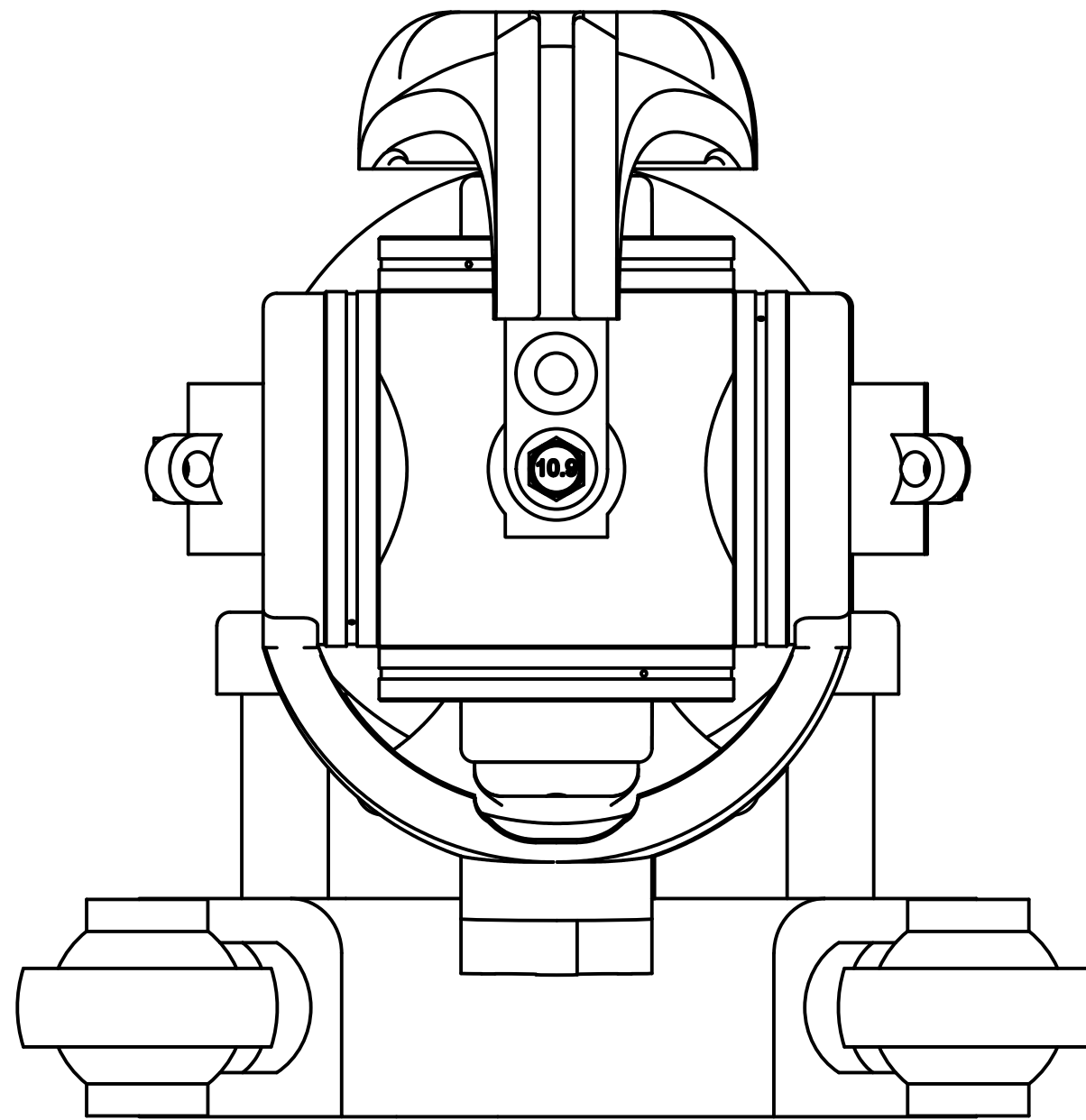


2x 3-DOF Joint

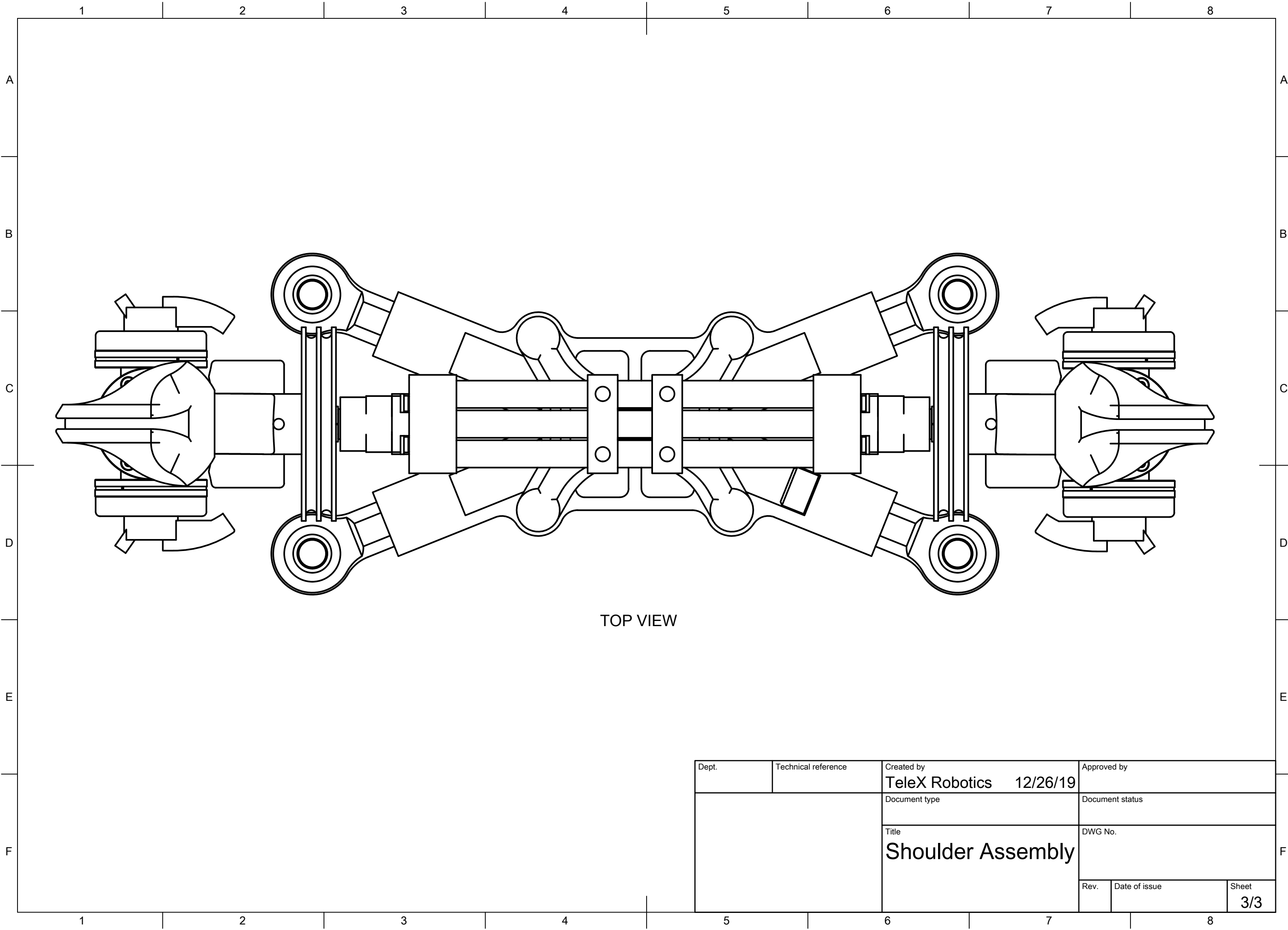
SIDE VIEW

Dept.	Technical reference	Created by TeleX Robotics 12/26/19	Approved by
		Document type	Document status
		Title Shoulder Assembly	DWG No.
Rev.	Date of issue	Sheet	1/3



FRONT VIEW

Dept.	Technical reference	Created by TeleX Robotics 12/26/19	Approved by	
		Document type	Document status	
		Title Shoulder Assembly	DWG No.	
		Rev.	Date of issue	Sheet 2/3



TOP VIEW

Dept.	Technical reference	Created by TeleX Robotics 12/26/19	Approved by
		Document type	Document status
		Title Shoulder Assembly	DWG No.
		Rev.	Date of issue
		Sheet 3/3	