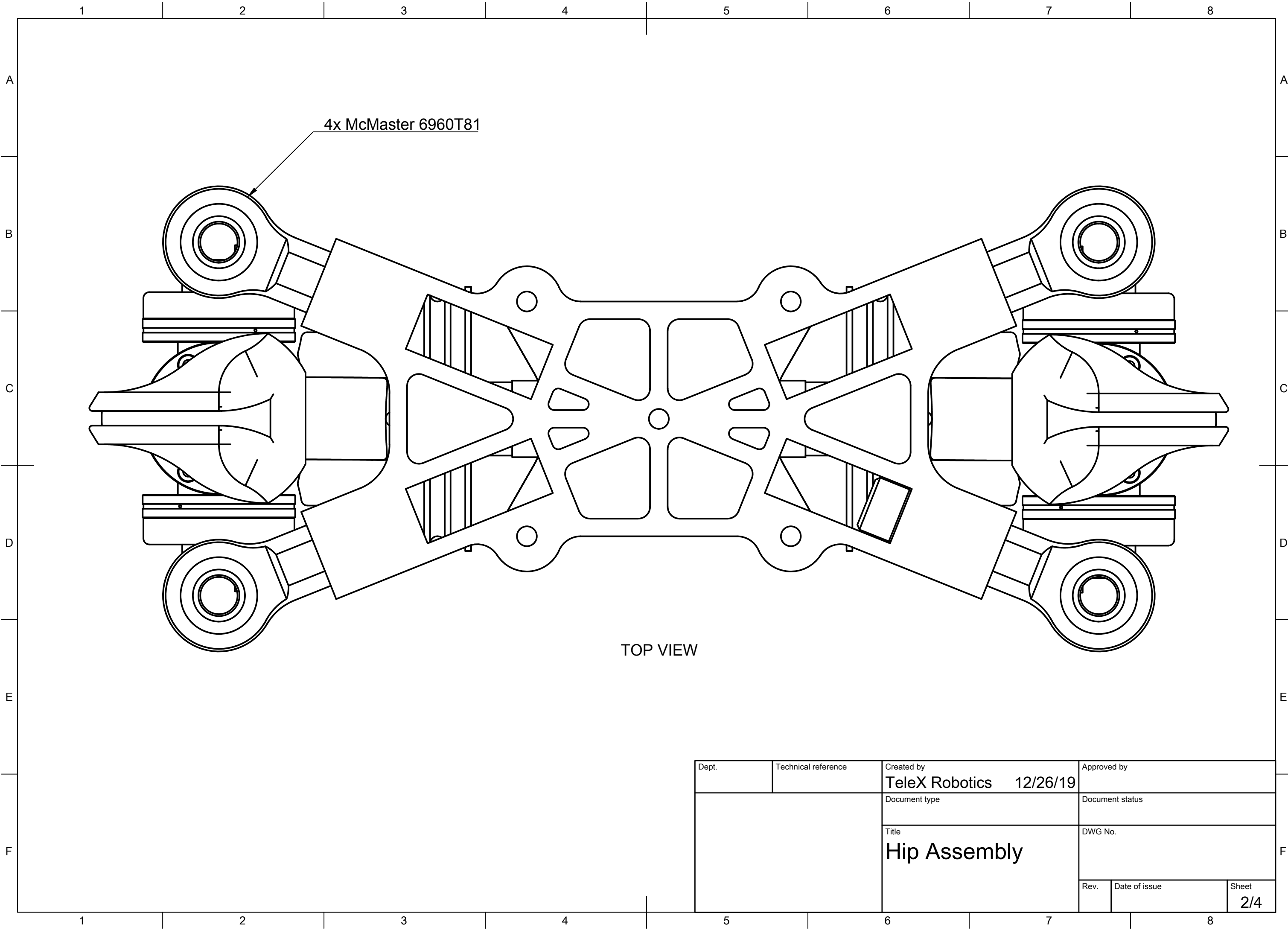


FRONT VIEW

2x 3-DOF Joint

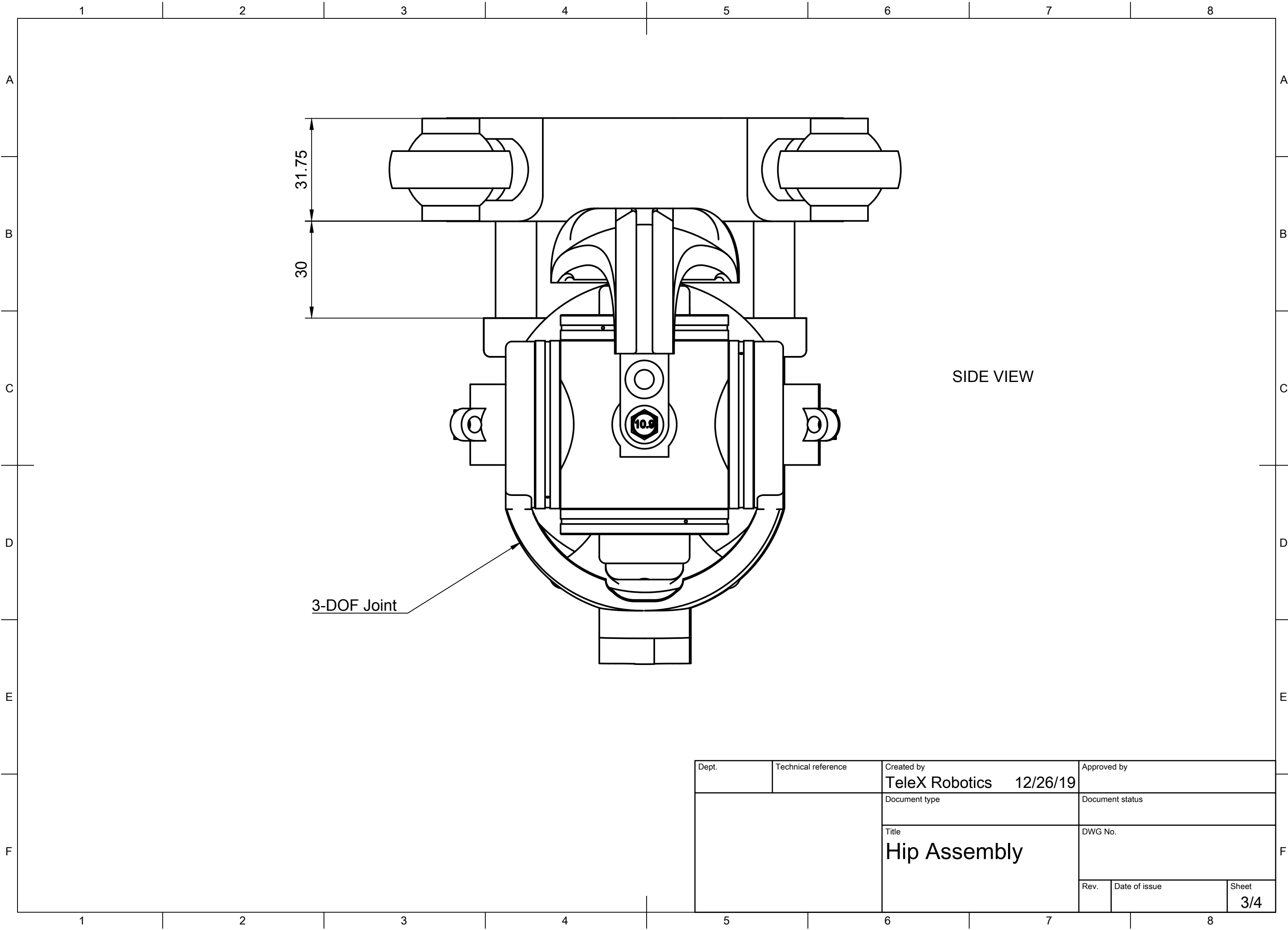
Dept.	Technical reference	Created by TeleX Robotics 12/26/19	Approved by
		Document type	Document status
		Title Hip Assembly	DWG No.
	Rev.	Date of issue	Sheet 1/4



4x McMaster 6960T81

TOP VIEW

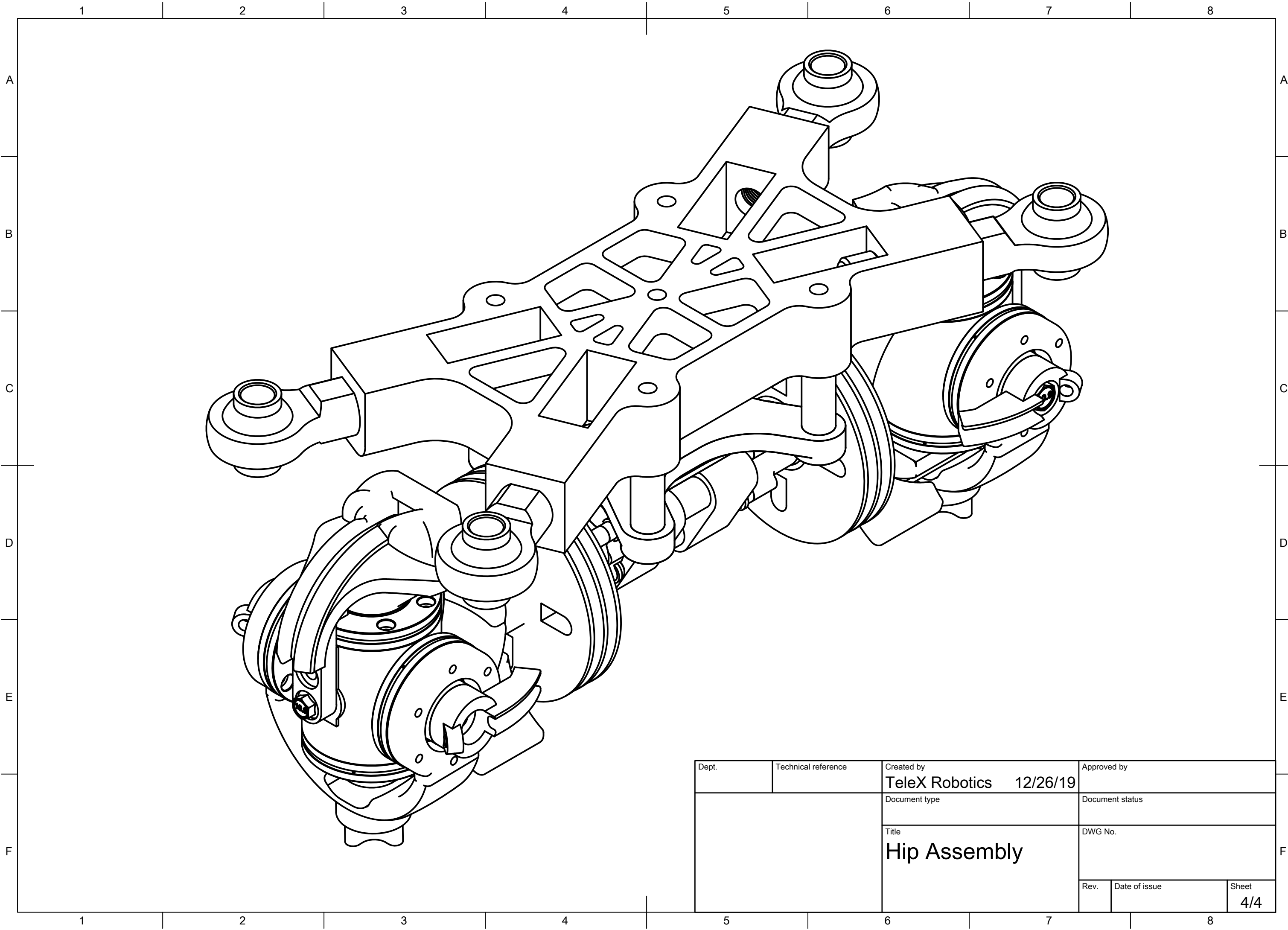
Dept.	Technical reference	Created by TeleX Robotics 12/26/19	Approved by
		Document type	Document status
		Title Hip Assembly	DWG No.
	Rev.	Date of issue	Sheet 2/4



SIDE VIEW

3-DOF Joint

Dept.	Technical reference	Created by TeleX Robotics 12/26/19	Approved by
		Document type	Document status
		Title Hip Assembly	DWG No.
		Rev.	Date of issue
		Sheet 3/4	



Dept.	Technical reference	Created by TeleX Robotics 12/26/19	Approved by
		Document type	Document status
		Title Hip Assembly	DWG No.
	Rev.	Date of issue	Sheet 4/4