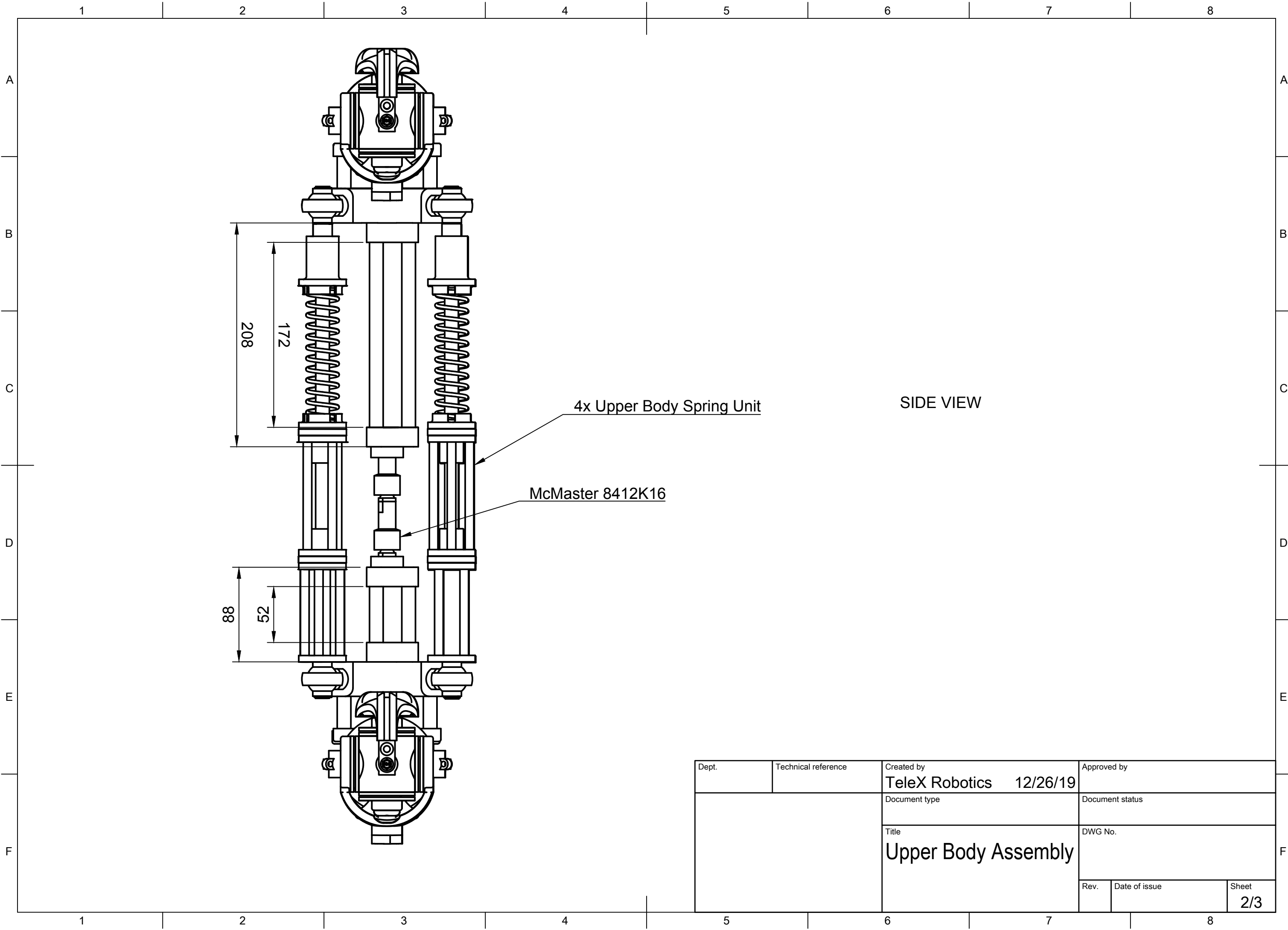


Dept.	Technical reference	Created by TeleX Robotics 12/26/19	Approved by
		Document type	Document status
		Title Upper Body Assembly	DWG No.
Rev.	Date of issue	Sheet	1/3



SIDE VIEW

4x Upper Body Spring Unit

McMaster 8412K16

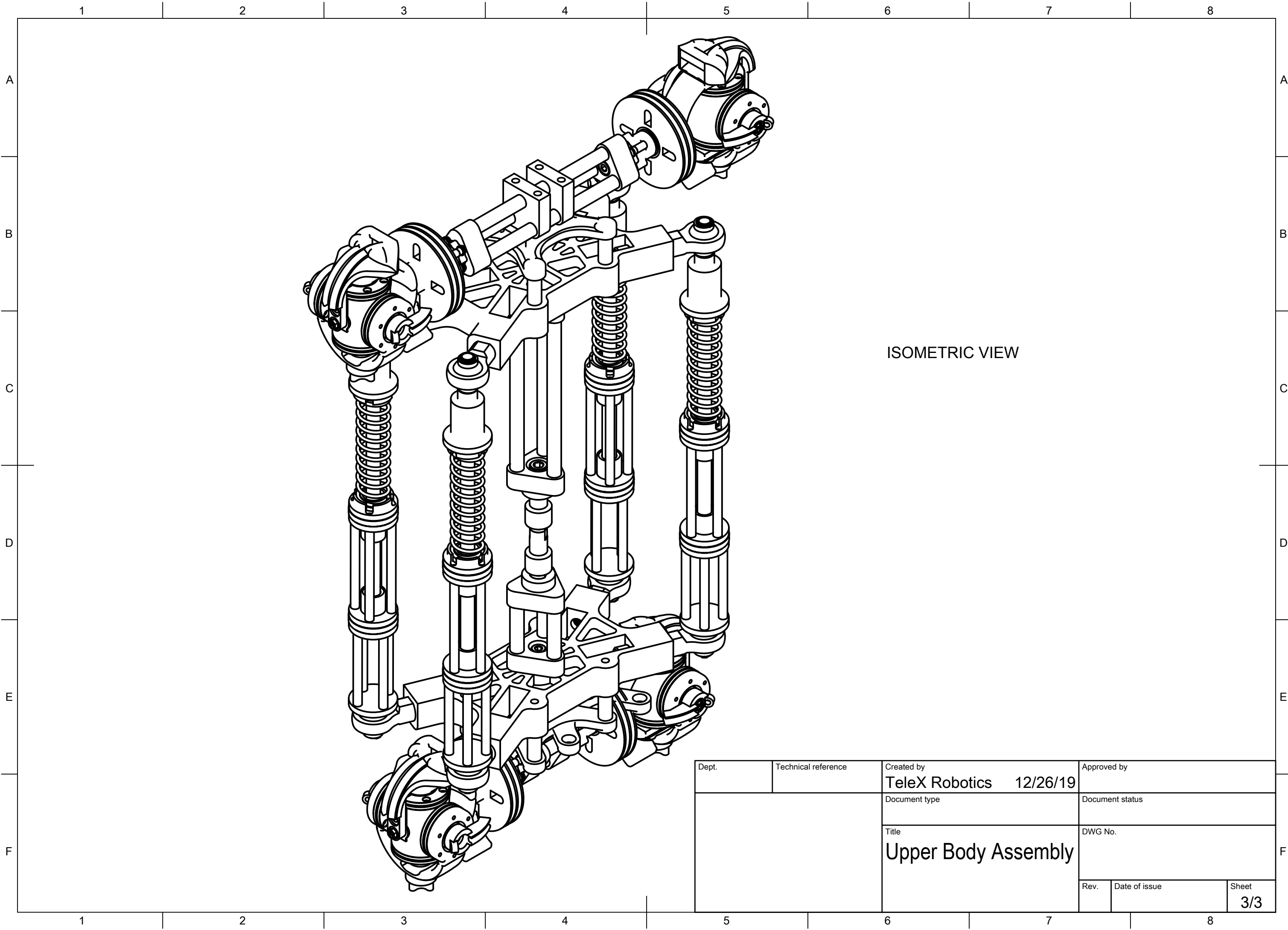
208

172

88

52

Dept.	Technical reference	Created by TeleX Robotics 12/26/19	Approved by
		Document type	Document status
		Title Upper Body Assembly	DWG No.
Rev.	Date of issue	Sheet 2/3	



ISOMETRIC VIEW

Dept.	Technical reference	Created by TeleX Robotics 12/26/19	Approved by
		Document type	Document status
		Title Upper Body Assembly	DWG No.
Rev.	Date of issue	Sheet 3/3	