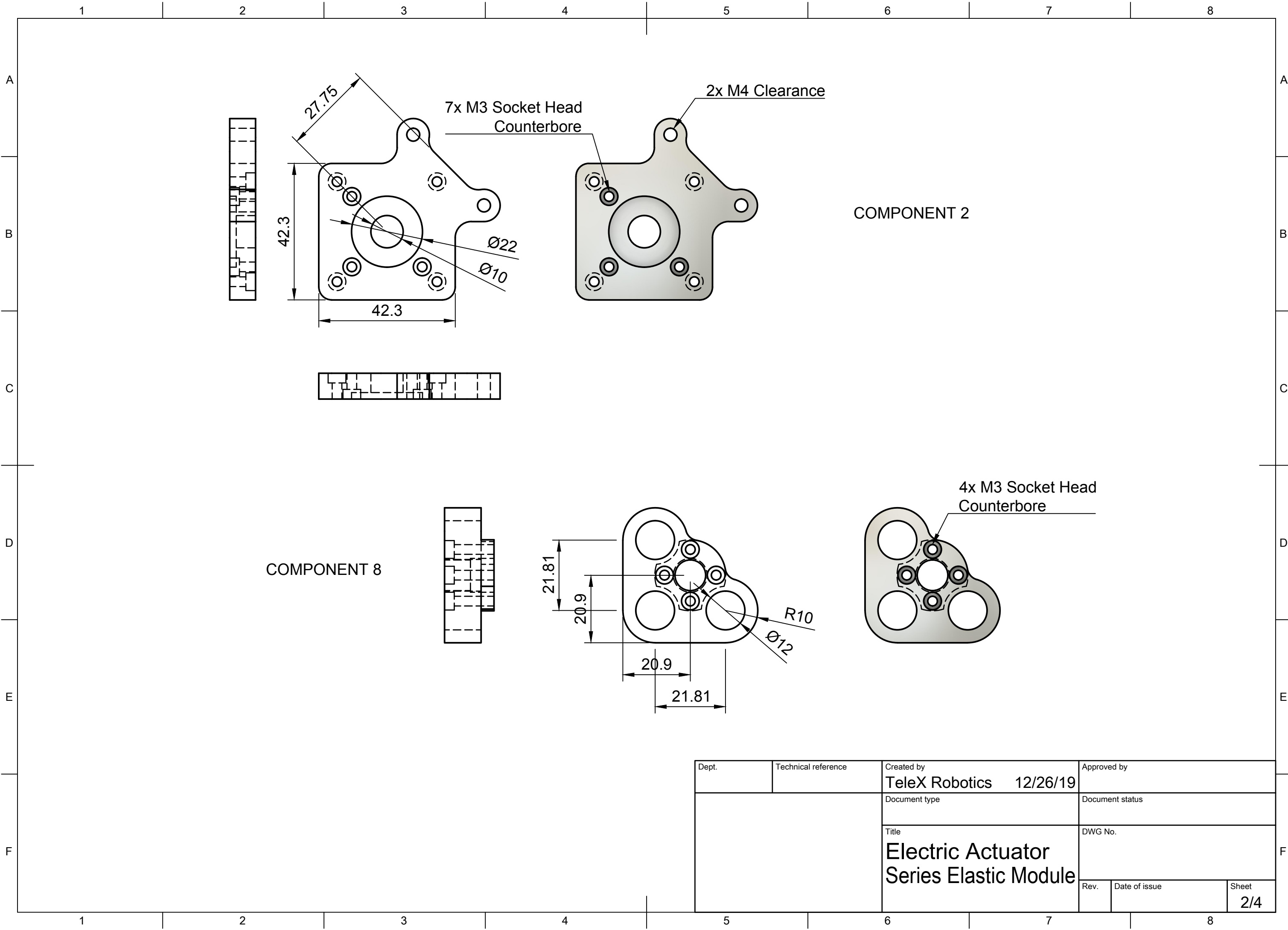


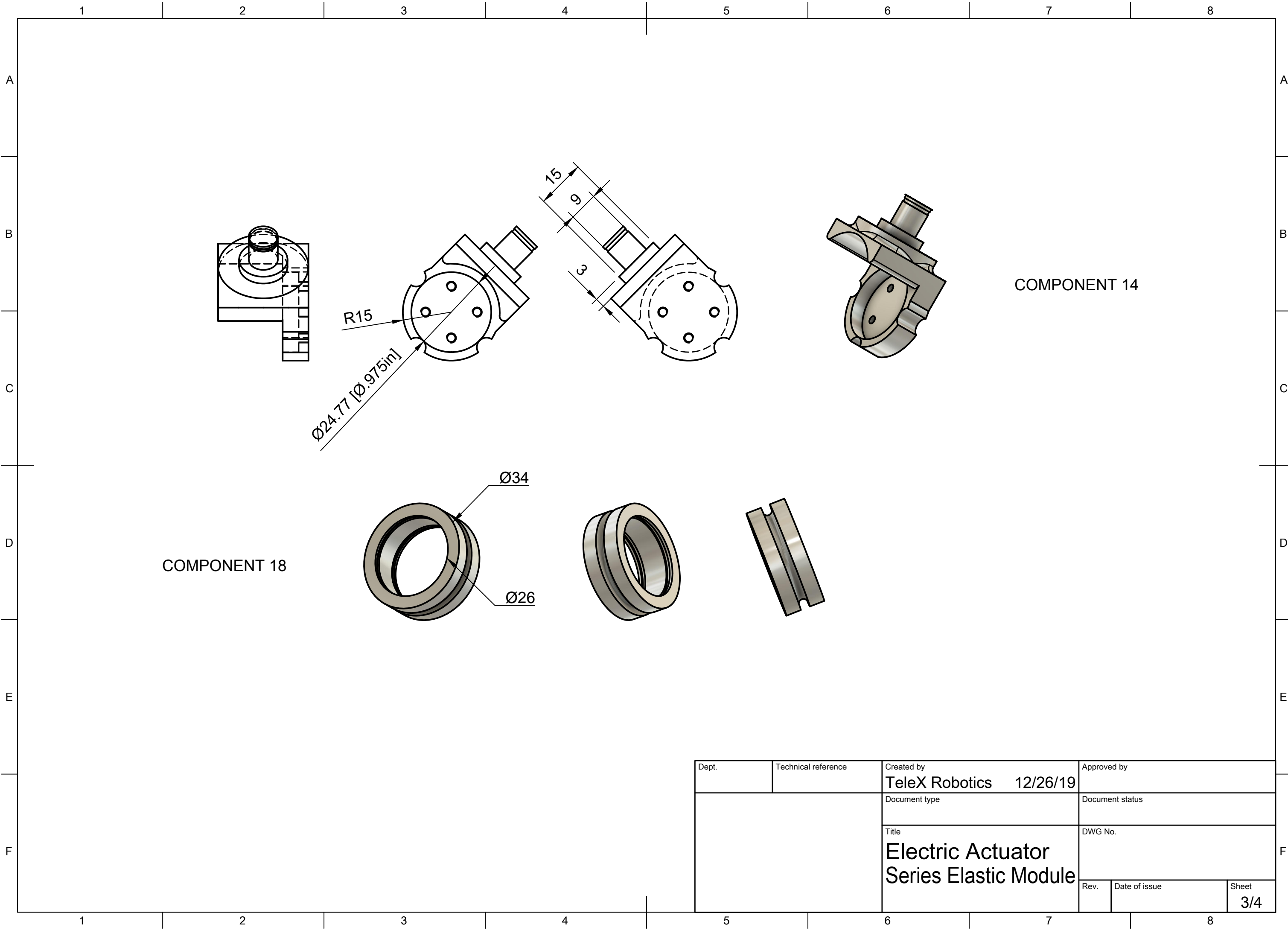
Dept.	Technical reference	Created by TeleX Robotics 12/26/19	Approved by	
		Document type	Document status	
		Title Electric Actuator Series Elastic Module	DWG No.	
Rev.	Date of issue		Sheet 1/4	



COMPONENT 2

COMPONENT 8

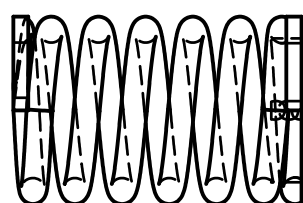
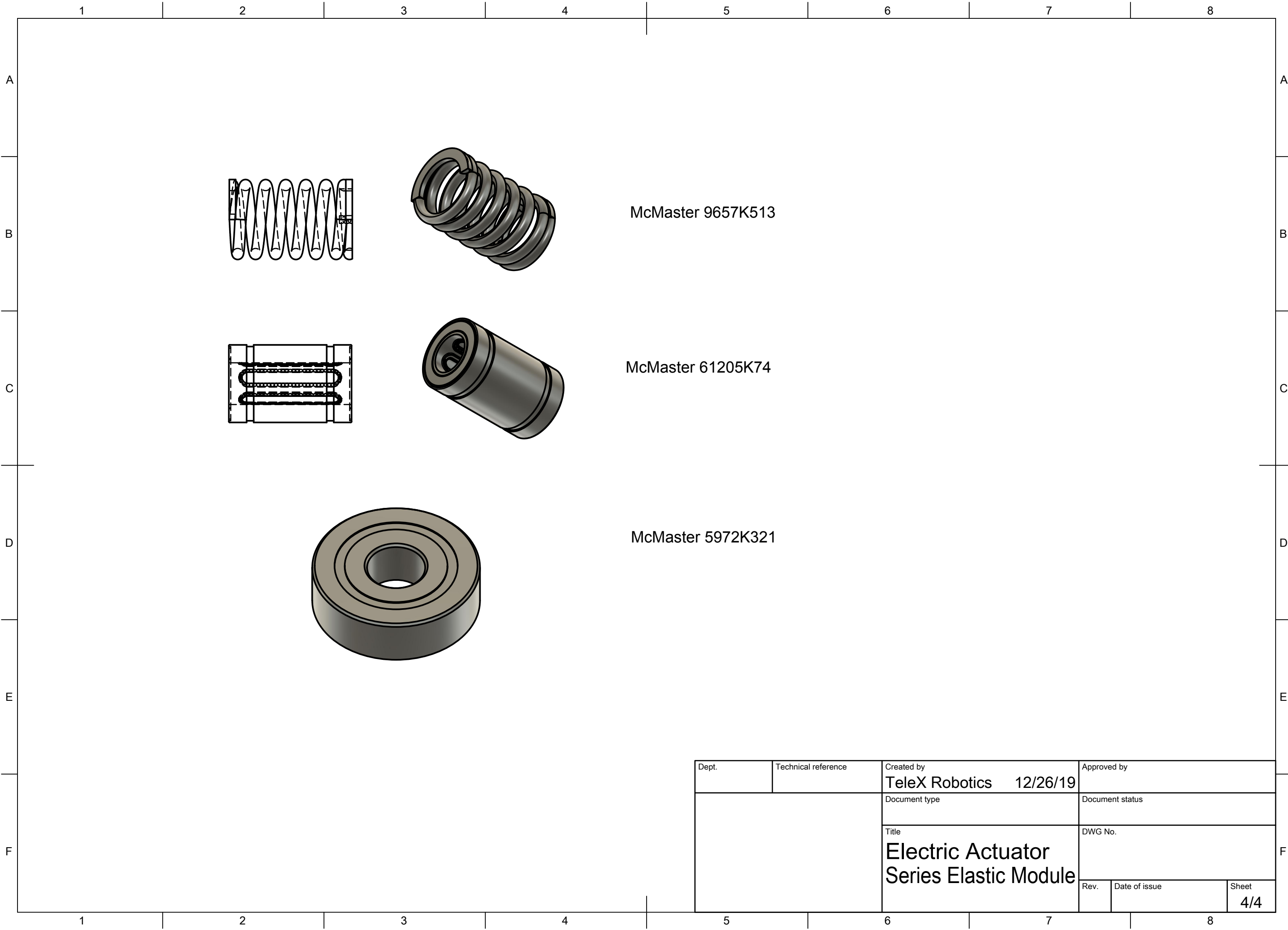
Dept.	Technical reference	Created by TeleX Robotics 12/26/19	Approved by
		Document type	Document status
		Title Electric Actuator Series Elastic Module	DWG No.
Rev.	Date of issue		Sheet 2/4



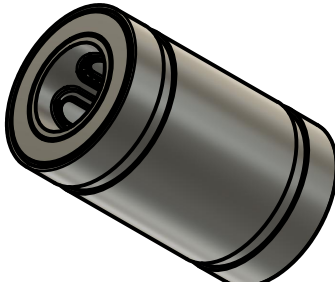
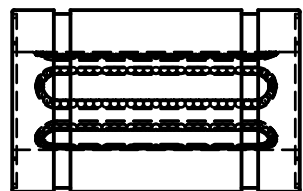
COMPONENT 18

COMPONENT 14

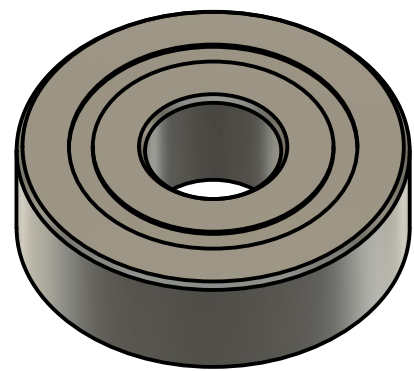
Dept.	Technical reference	Created by TeleX Robotics 12/26/19	Approved by
		Document type	Document status
		Title Electric Actuator Series Elastic Module	DWG No.
Rev.	Date of issue	Sheet 3/4	



McMaster 9657K513



McMaster 61205K74



McMaster 5972K321

Dept.	Technical reference	Created by TeleX Robotics 12/26/19	Approved by	
		Document type	Document status	
		Title Electric Actuator Series Elastic Module		DWG No.
		Rev.	Date of issue	Sheet 4/4